

COMPONENT CODING OF THE FM500/FM510-SU500/SU510

SU500/SU510

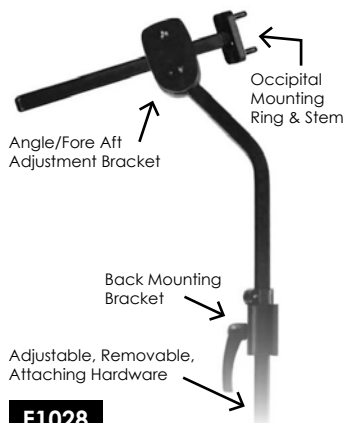
SU500/SU510

Occipital Pad, HMS450 & Mounting Bracket.



MSRP
\$285.00

HMS450 Back Mount Assembly



E1028

Occipital Pad w/Fixed Mount Hardware



Fixed Mount
FM450

Occipital Pad

EO955

Coding Summary

ITEM	CODE	ALLOWABLE	MSRP
**FM500/FM510 Fixed Mount Headrest	E0955	\$202.16*	\$232.00*
SU500/SU510-HMS450 Adjustable, Removable Attaching Hardware with Occipital Pad	E0955 + E1028	\$202.16* + \$206.54* = \$408.70*	\$285.00*

**When ordered as an SU500/SU510, the Fixed Mount Hardware Part# FM450 is not supplied.

*Approximate. Establish \$ in your area.

COMPONENT CODING OF THE FM175/FM275-CP175/CP275

CP175/CP275

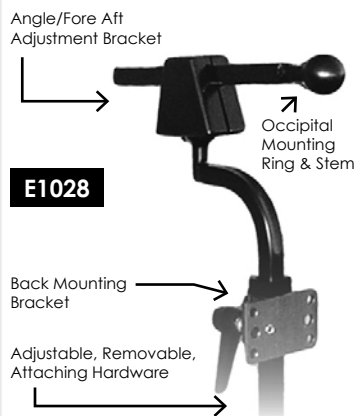
CP175

14" Pad, HMO475, Multi-Axis Hardware & Seat Back Mount.



MSRP
\$292.00

HMO475 Multi-Axis Hardware & Seat Back Mount



E1028

Headrest Pad w/Fixed Mount Hardware



Fixed Mount
FM450

Headrest Pad

EO955

Coding Summary

ITEM	CODE	ALLOWABLE	MSRP
**FM175/FM475 Fixed Mount Headrest	E0955	\$202.16*	\$217.00*
CP175/CP275-HMO475 Adjustable, Removable Attaching Hardware & Headrest Pad	E0955 + E1028	\$202.16* + \$206.54* = \$408.70*	\$292.00*

**When ordered as an CP175/CP275, the Fixed Mount Hardware Part# FM450 is not supplied.

*Approximate. Establish \$ in your area.

NOTE: This information reflects Stealth Products Inc. interpretation of current codes as they relate to the products shown!
We highly recommend that you solicit the opinion of your own coding specialist before proceeding.

COMPONENT CODING OF THE FMSTL-OTSM/STLOTSM

STLOTSM

STL-OTSM

STL-OTSM Includes: Small Molded Headrest Pad & HMO475 Multi-Axis Hardware.

MSRP
\$210.00



HMO475 Multi-Axis Hardware & Seat Back Mount

Angle/Fore Aft Adjustment Bracket



E1028

Back Mounting Bracket

Adjustable, Removable, Attaching Hardware

FMSTL-OTSM

Fixed Mount
FM475



Small Headrest

EO955

Coding Summary

ITEM	CODE	ALLOWABLE	MSRP
**FMSTL-OTSM Fixed Mount Headrest	E0955	\$202.16*	\$179.00*
STL-OTSM-HMO475 Adjustable, Removable Attaching Hardware & Small Molded Headrest Pad	E0955 + E1028	\$202.16* + \$206.54* = \$408.70*	\$210.00*

**When ordered as an STL-OTSM, the Fixed Mount Hardware Part# FM475 is not supplied.
*Approximate. Establish \$ in your area.

COMPONENT CODING OF THE FMSTL-LG/STLOTLG

STL-OTLG

STL-OTLG

STL-OTLG Includes: Large Molded Headrest Pad & HMO475 Multi-Axis Hardware.

MSRP
\$225.00



HMO475 Multi-Axis Hardware & Seat Back Mount

Angle/Fore Aft Adjustment Bracket



E1028

Back Mounting Bracket

Adjustable, Removable, Attaching Hardware

FMSTL-LG

Fixed Mount
FM475



Large Headrest Pad

EO955

Coding Summary

ITEM	CODE	ALLOWABLE	MSRP
**FMSTL-OTLG Fixed Mount Headrest	E0955	\$202.16*	\$189.00*
STL-OTLG-HMO475 Adjustable, Removable Attaching Hardware & Large Molded Headrest Pad	E0955 + E1028	\$202.16* + \$206.54* = \$408.70*	\$225.00*

**When ordered as an STL-OTLG, the Fixed Mount Hardware Part# FM475 is not supplied.
*Approximate. Establish \$ in your area.

NOTE: This information reflects Stealth Products Inc. interpretation of current codes as they relate to the products shown!
We highly recommend that you solicit the opinion of your own coding specialist before proceeding.

COMPONENT CODING OF THE SU100/SU110 ULTRA HEAD POSITIONING & CONTROL SYSTEM

SU100/SU110

SU100/SU110

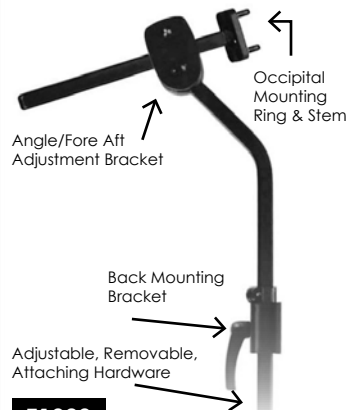
SU950 Adjustable Channel & Ring, Occipital Pad, Sub-Occipital Pad & HMS450.

MSRP
\$570.00



NOTE: Because many of the components are not coded, there are two coding options shown. One utilizes K0108 for all components, the second mixes E0955, E1028 & K0108. Have your billing expert determine which is most suitable for your situation.

HMS450 Back Mount Assembly



E1028

Occipital & Sub-Occipital Pad

Adjustable Channel Assembly
SU950



E0955/K0108

K0108

K0108

Coding Summary

ITEM	CODE	ALLOWABLE	MSRP
**HMS450 Adjustable, Removable Attaching Hardware	E1028 \$206.00*	K0108 N/A	\$195.00
Occipital Pad	E0955 \$202.18*	K0108 N/A	\$50.00
Sub-Occipital Pad	K0108 N/A	K0108 N/A	\$50.00
SU950 Adjustable Channel Assembly	K0108 N/A	K0108 N/A	\$275.00

**Fixed Mount Hardware Part# FM475 is not compatible with the Ultra Series.
*Approximate. Establish \$ in your area.

SU100/SU110

SU100/SU110

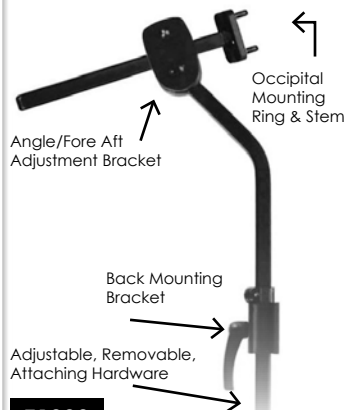
SU950 Adjustable Channel & Ring, Occipital Pad, Sub-Occipital Pad, HMS450 & SUS9-B.

MSRP
\$980.00



NOTE: Because many of the components are not coded, there are two coding options shown. One utilizes K0108 for all components, the second mixes E0955, E1028 & K0108. Have your billing expert determine which is most suitable for your situation.

HMS450 Back Mount Assembly



E1028

Occipital & Sub-Occipital Pad



E0955/K0108

K0108

K0108

Adjustable Channel Assembly
SU950

Sub Occipital Pad

K0108

Coding Summary

ITEM	CODE	ALLOWABLE	MSRP
**HMS450 Adjustable, Removable Attaching Hardware	E1028 \$206.00*	K0108 N/A	\$195.00
Occipital Pad	E0955 \$202.18*	K0108 N/A	\$50.00
Sub-Occipital Pad	K0108 N/A	K0108 N/A	\$50.00
SU950 Adjustable Channel Assembly	K0108 N/A	K0108 N/A	\$275.00
Swing-Away Lateral Facial Hardware added as a L or R	E1028 ea side \$206.00*	K0108 N/A	\$410.00/Both L & R \$325.00/1 Side L or R
Lateral Facial Pads (each)	K0108 ea side N/A	K0108 ea side N/A	\$50.00 ea

**Fixed Mount Hardware Part# FM475 is not compatible with the Ultra Series.
*Approximate. Establish \$ in your area.

NOTE: This information reflects Stealth Products Inc. interpretation of current codes as they relate to the products shown! We highly recommend that you solicit the opinion of your own coding specialist before proceeding.

COMPONENT CODING OF THE CB300/CB310

CB300/CB310

CB300/CB310

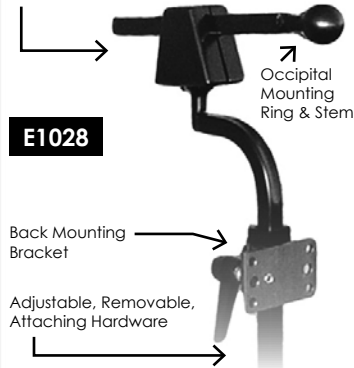
Large Combo Pad, Multi-Axis Hardware & Seat Back Mount.



MSRP
\$425.00

HMO475 Multi-Axis Hardware & Seat Back Mount

Angle/Fore Aft Adjustment Bracket



E1028

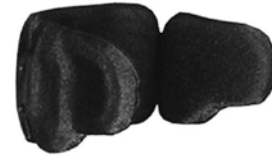
Back Mounting Bracket

Adjustable, Removable, Attaching Hardware

Headrest Pad w/Fixed Mount Hardware



Fixed Mount
FM450



3 piece Adjustable Occipital Pad

EO955

Coding Summary

ITEM	CODE	ALLOWABLE	MSRP
**FM300/FM310 Fixed Mount Headrest	E0955	\$202.16*	\$217.00*
CB300/CB310-HMO475 Adjustable, Removable Attaching Hardware & Headrest Pad	E0955 + E1028	\$202.16* + \$206.54* = \$408.70*	\$425.00*

**When ordered as an CB300/CB310, the Fixed Mount Hardware Part# FM450 is not supplied.
*Approximate. Establish \$ in your area.

COMPONENT CODING OF THE SU600/SU610

SU600/SU610

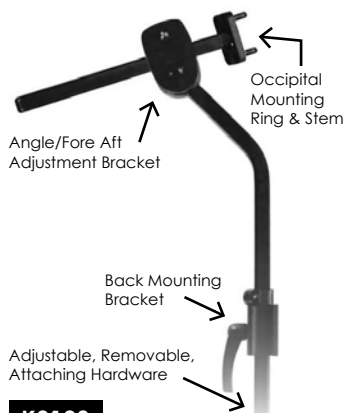
SU600/SU610

Sub-Occipital Pad, HMS450 Hardware & Seat Back Mount.



MSRP
\$285.00

HMS450 Back Mount Assembly



Angle/Fore Aft Adjustment Bracket

Occipital Mounting Ring & Stem

Back Mounting Bracket

Adjustable, Removable, Attaching Hardware

K0108

Sub-Occipital SU600/SU610/SU620



Sub-occipital Pad

K0108

Coding Summary

ITEM	CODE	ALLOWABLE	MSRP
SU600/SU610 Sub-Occipital Pad, HMS450 Hardware & Seat Back Mount.	K0108	N/A	\$285.00*

*Approximate. Establish \$ in your area.

NOTE: This information reflects Stealth Products Inc. interpretation of current codes as they relate to the products shown!
We highly recommend that you solicit the opinion of your own coding specialist before proceeding.

COMPONENT CODING OF THE SUS9/CPS9/OTTOS9/ASLS9/QRS9/SM600/F8675

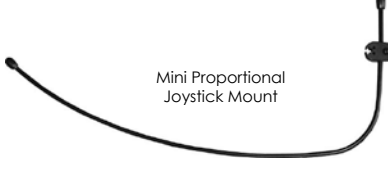
SUS9/CPS9

SUS9/CPS9
Lateral Facial Swing-Away Assembly for Head Positioning of Switches or Pads.
Left and Right MSRP
\$410.00 to \$425.00
Left or Right MSRP
\$325.00 ea. **K0108**
Lateral Swing-Away Assembly



SM600

SM600
Mini Proportional Joystick Mount attaches to any of the Lateral Facial Swing-Away Assemblies.
MSRP
\$250.00
K0108



F8675

F8675
Figure 8 Bracket attaches to an existing Lateral Rod Assembly. [Additional Switch or Pad Mounting Site]
MSRP
\$250.00
K0108



Coding Summary

ITEM	CODE
SUS9/CPS9 etc...	K0108
ALLOWABLE	MSRP
N/A	\$410.00 to \$425.00 L and R \$325.00 L or R

Coding Summary

ITEM	CODE
SM600	K0108
ALLOWABLE	MSRP
N/A	\$250.00

Coding Summary

ITEM	CODE
F8675	K0108
ALLOWABLE	MSRP
N/A	\$250.00

COMPONENT CODING OF THE ARMS260-Q/I/P/ES-EGG SWITCH/SP625

ARMS260-Q/I/P

ARMS260-Q/I/P
Swing-Away Mount for Joystick - Displays - Switches - Pads.
MSRP
\$250.00 **E1028**



ES-EGGSWITCH

ES-EGGSWITCH
Egg Switch for Multi-Purpose Applications.
MSRP
\$77.00
K0108



SP625

SP625
Sip-N-Puff Interface Hardware Kit.
MSRP
\$275.00
E2326



Coding Summary

ITEM	CODE
ARMS260-Q/I/P	E1028
ALLOWABLE	MSRP
\$206.00	\$250.00

Coding Summary

ITEM	CODE
Egg Switch	K0108
ALLOWABLE	MSRP
N/A	\$77.00

Coding Summary

ITEM	CODE
SP625	E2326
ALLOWABLE	MSRP
\$319.00	\$275.00

NOTE: This information reflects Stealth Products Inc. interpretation of current codes as they relate to the products shown!
We highly recommend that you solicit the opinion of your own coding specialist before proceeding.

COMPONENT CODING OF THE GATLIN - SYSTEM FOR MIDLINE POSITIONING OF TRAYS, SWITCHES, DRIVER INPUTS & DISPLAYS

GAT400/405 I/Q/P

GAT400/405 I/Q/P
Horizontally Mounted System.



MSRP
\$575.00
K0108

GAT406 T/C/B

GAT406 T/C/B
Vertically Mounted System.
MSRP

\$575.00
K0108



Coding Summary

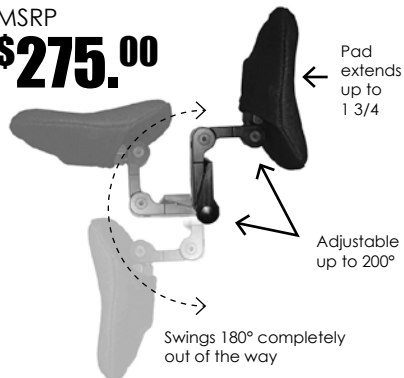
ITEM	CODE	ALLOWABLE	MSRP
GAT 400 I/Q/P	K0108	N/A	\$575.00
GAT 405 I/Q/P	K0108	N/A	\$575.00
GAT 406 I/Q/P	K0108	N/A	\$575.00
Accessories	K0108	N/A	Various

COMPONENT CODING OF THE TWB-L, LEFT OR RIGHT SIDE

TWB-L

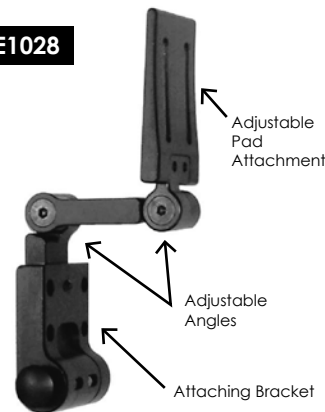
TWB-L - Left or Right
Lateral Pad & Lateral Adjustable Swing-Away Hardware Assembly.

MSRP
\$275.00



TWB-L Lateral Adjustable Swing-Away Hardware Assembly

E1028



TWB-L Lateral Pad- Shown w/ **FMTWB-L** Fixed Mount Bracket

FMTWB-L



TWB-L
Lateral Pad

EO956

Coding Summary

ITEM	CODE	ALLOWABLE	MSRP
**FMTWB-L	EO956	\$98.16*	\$129.00
TWB-L- Complete w/Adjustable Swing-Away Hardware	E0956 + E1028	\$300.00*	\$275.00

**When ordered as a TWB-L, the Fixed Mount Hardware Part# FMTWB-L is not supplied.
*Approximate. Establish \$ in your area.

NOTE: This information reflects Stealth Products Inc. interpretation of current codes as they relate to the products shown!
We highly recommend that you solicit the opinion of your own coding specialist before proceeding.

COMPONENT CODING OF THE POWERED TILT ADD-ON SYSTEMS

IIS350

IIS350
Invacare Solara Add-On Tilt System.
MSRP

\$3,600.00

E1002



IISJR350

IISJR350
Invacare Solara Add-On Tilt System.
MSRP

\$3,600.00

E1002



QTS375

QTS375
Add-On Tilt System.
MSRP

\$3,600.00

E1002



Coding Summary

ITEM	CODE	ALLOWABLE	MSRP
Power Tiger - PTT3750	E1002	\$4,113.00	\$2,700.00
Solara (1G) - IIS350	E1002	\$4,113.00	\$3,600.00
Solara JR (1G) - IISJR350	E1002	\$4,113.00	\$3,600.00
Solara JR (2G) - IISJR360	E1002	\$4,113.00	\$3,600.00
Compass - COM350	E1002	\$4,113.00	\$3,600.00
Spree - SPR360	E1002	\$4,113.00	\$3,600.00
Quickie TS - QTS375	E1002	\$4,113.00	\$3,600.00
Quickie Iris - IRIS380	E1002	\$4,113.00	\$3,600.00
Quickie Zippie 500 - QZ500	E1002	\$4,113.00	\$3,600.00
Field Retro Kits	E1002	\$4,113.00	\$3,600.00

COMPONENT CODING OF THE LIGHTNING PEDIATRIC MOBILITY BASE

LIGHTNING LT11/LT14/LT16

LIGHTNING LT11/LT14/LT16
Pediatric Mobility Base.

MSRP
\$1,500.00

E1236



LIGHTNING LT11SE/LT14SE/LT16SE

LIGHTNING LT11SE/LT14SE/LT16SE
Pediatric Mobility Base.

MSRP
\$2,100.00

E1236



Coding Summary

ITEM	CODE	ALLOWABLE	MSRP
Lightning LT11/LT14/LT16	E1236	\$1,673.00	\$1,500.00
Lightning LT11SE/LT14SE/LT16SE	E1236	\$1,673.00	\$2,100.00
Accessories	K0108	N/A	MSRP VARIES

NOTE: This information reflects Stealth Products Inc. interpretation of current codes as they relate to the products shown!
We highly recommend that you solicit the opinion of your own coding specialist before proceeding.

